

CNC brushless charging torque wrench

B-TORQ

Battery Powered series is a new generation of brushless small screen charging torque wrench, this series adopts a new generation of brushless motor, no carbon brush, maintenance-free, more durable, connect to standard electricity to start working, and meet the needs of high-precision, high-intensity and safe work.

The B-TORQ Battery Powered series uses a planetary gear transmission system with a high-precision output ratio. High-capacity air-cooled battery, fast-charging charger, high accuracy $\pm 5\%$. The B-TORQ series, combined with the planetary gear system with automatic variable speed clutch function, can achieve 4-6 times the no-load speed of the standard model.



High-precision planetary gear transmission system

Planetary gear transmission system with high precision, high rigidity, high speed ratio, high life, low inertia and low vibration is adopted.

Angle function

Angle mode is supported, and the machine log can be read via USB — Optional

High-efficiency brushless motor

It adopts a brushless DC motor with small size, long life, light weight, low inertia and low vibration.

Forward and reverse switch switch, safety lock

The labor-saving forward and reverse switching switch with high service life and ultra-lubrication is adopted to make the tightening and dismantling work fast and sensitive.

Activate the trigger

Industrial-grade actuation trigger with long service life and high sensitivity.

Digital control panel



Gun non-slip design grip

It adopts an ergonomic gun design grip and can be equipped with a non-slip rubber sleeve, which is more labor-saving and safer.

Wireless module

Support WiFi, Bluetooth—optional

High-capacity air-cooled lithium battery

The use of large-capacity air-cooled lithium battery greatly guarantees the safety of use.

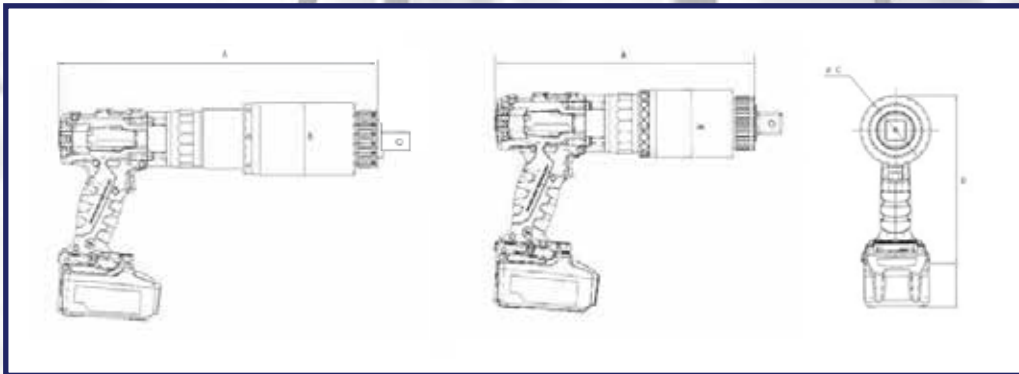
- 0.96-inch LCD display
- The use of brushless motors eliminates the need to replace carbon brushes
- Digitally adjust and display torque and wrench working status parameters
- Multi-mode adjustment, digital torque adjustment or torque adjustment from 1 to 99 gears
- Programmable presets for 10 common output torques or gears
- Any value of torque can be set within the torque range
- The use of multi-pole gearbox, high reliability, high stability
- Hierarchical function management of users (operators, administrators).
- The buzzer prompts for the factory environment
- Tightening result simulation judgment following function
- Background torque calibration function, software compensation function
- The anti-reaction arm is locked to realize the unloading function

- Wrench overheating temperature monitoring function
- Battery level monitoring and compensation
- Torque overload limiting function
- High-capacity air-cooled battery, fast-charging charger
- Accuracy $\pm 5\%$, repeatability $\pm 2\%$, -TC accuracy $\pm 3\%$
- Support larger capacity air-cooled lithium battery 5.2/8.0AH
- Standard reaction arm is standard, and custom reaction arm is optional
- Support the installation of hoisting system, which is safer to operate at height
- *H: High-speed system - Planetary gear system with variable speed clutch function, supported by some models

SAR**TORQUE SYSTEMS****BOLTING SOLUTIONS REDEFINED**

Tool Model	Drive Size	Torque minimum(NM)	Torque maximum(NM)	RPM	Weight (Kg)	Dimension A (mm)	Dimension B (mm)	Dimension C (mm)	Dimension D (mm)
B-TORQ 300	0.75"	70	300	20	3	231	63	67	198
B-TORQ 700	0.75"	170	700	21.5	3.5	231	63	67	262
B-TORQ 1400	0.75"	270	1400	10.5	3.5	231	63	67	262
B-TORQ 2000	1"	400	2000	6	4	244	69	69	262
B-TORQ 4000	1"/ 1.5"	800	4000	3	6	285	81	81	266
B-TORQ 7000	1.5"	1350	7000	2.1	8.8	295	95	95	272
B-TORQ 15000	1.5"	4000	15000	1	15	500	115	115	320

Note: The common working torque should be less than 80% of the maximum torque of the equipment. The above parameters may be slightly adjusted, and the factory parameters shall prevail.

**ALL B-TORQ TOOL KITS INCLUDE:**

- REACTION ARM & RETAINING RING
- BATTERY CHARGER
- BATTERY (1+1)
- CALIBRATION CERTIFICATE

Manufactured by :

SAR INTECH PVT LTD
 (An ISO 9001:2015
 Certified Company)

218, Hasti Industrial Premise
 C.S.L, Plot No.R798 Mahape,
 Navi Mumbai - 400710
 Email: sarintech@gmail.com
 Web: www.sarintech.in